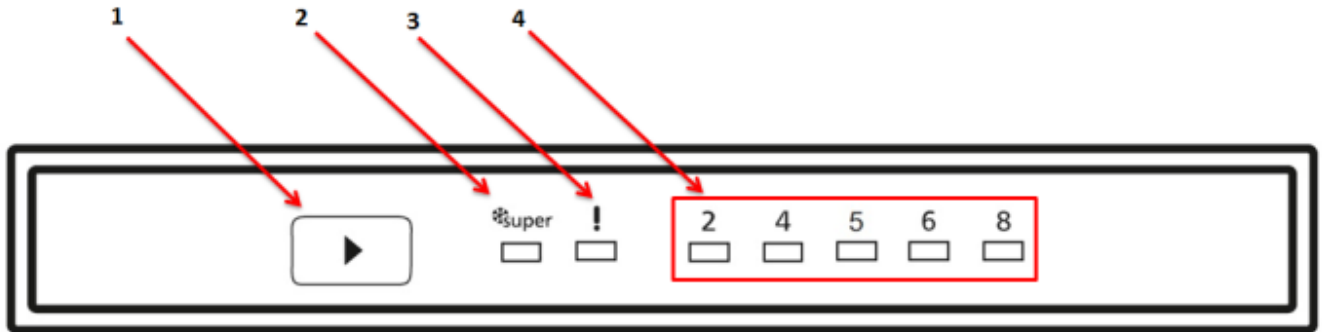


Display and control panel



1. It enables the setting value of fridge to be modified and super cool mode to be activated if desired. Cooler maybe set to 8, 6, 5, 4, 2 °C, SC.
2. It is super cool mode symbol.
3. It is alarm symbol.
4. It is fridge set value screen.

Super Cooling Mode :

- To cool plenty of food
- To cool foods rapidly

How to use;

- Press set button until 'SUPER' led blink.

During this mode:

- Super cool mode can be cancelled by the same operation of selecting.



Demo mode :

This mode will be use for only sales points by salesman to show functions & modes to customer without operating components as a compressor, fan, motor..Etc

Entering Demo mode:

- Firstly the power is on , with in 1 minute set the temperature to "SUPER" and user will push "SET" button for 10 seconds , Then appliance will go on "demo function" and Super LED symbol will blink during the mode.
- All functions can be adjusted to show how they are adjusted to the customer.

Canceling Demo mode:

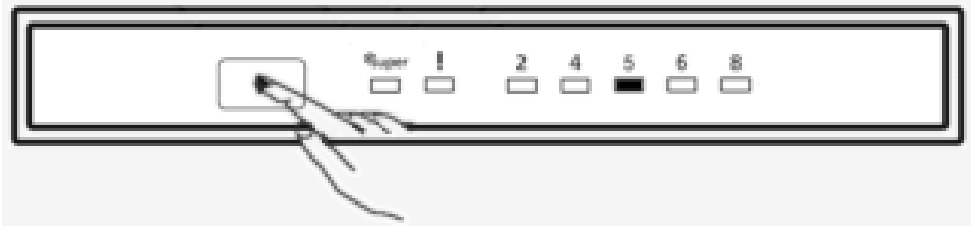
- For cancelling; Same operation will be used. If user will push SET button for 10 seconds, demo function will be cancelled.
- When appliance is Demo mode; if plug is removed or there is an electricity breakdown; demo mode will continue with current settings after user plug into or electricity breakdown finish.

| | | |
|------------------------------|----------------------------------|-------------------------|
| VESTEL WHITE GOODS | 375E PUSH BUTTON DISPLAY | CUSTOMER SUPPORT |
| | Display and control panel | |

Temperature adjustment and activating SUPER COOLING Mode

Initial temperature value for Cooler Setting Indicator is +5 °C.

- Press set button once.
- When you first push this button, the last value appears on the setting indicator of the cooler.
- Whenever you press on this button, lower temperature will be set. (+2°C, +4C, +5°C, +6°C, +8°C,)
- If you continue to press, it will restart from +2°C.
- The temperature value selected before Super Cool Mode is activated will remain the same when the mode is over or cancelled. The appliance continues to operate with this temperature value.



Recommended Temperature Values for Fridge

| When would it be adjusted? | Inner Temperature |
|------------------------------|-------------------|
| For minimum cooling capacity | 8°C |
| In normal usage | 4°C, 5°C, 6°C |
| For maximum cooling capacity | 2°C |

| | | |
|------------------------------|---------------------------------|--------------------------------------|
| VESTEL WHITE GOODS | 375E PUSH BUTTON DISPLAY | CUSTOMER SUPPORT |
| | Fault Codes | |

Sensor short open circuit defect on display

| SENSOR | TEMPERATURE | USER MODE REACTION | SERVICE MODE REACTION |
|----------------------------------|---|--------------------------------|------------------------|
| (1) Freezer | NA | Display ALARM Symbol blinks | NA |
| (2) Refrigerator | >+50° C or <-50° C (sensor is short or open) | | 2 Set Symbol blinks |
| (3) Defrost | Short (< 100Ω) or <-50° C | | 4 Set Symbol blinks |
| (4) AT sensor | NA | | NA |
| Breakdown of (1) and (2) | | | NA |
| Breakdown of (1) and (3) | | | NA |
| Breakdown of (1) and (4) | | | NA |
| Breakdown of (2) and (3) | | | 2 -4 Set Symbol blinks |
| Breakdown of (2) and (4) | | | NA |
| Breakdown of (3) and (4) | | | NA |
| Breakdown of (2) and (3) and (4) | | | NA |
| Breakdown of (1) and (3) and (4) | | | NA |
| Breakdown of (1) and (2) and (4) | | | NA |
| Breakdown of (1) and (2) and (3) | | | NA |
| Breakdown of all sensors | | | NA |

Component defect on display

| DEFECT TYPE | DETAILS | USER MODE REACTION | SERVICE MODE REACTION |
|-------------------|---|--------------------------------|-----------------------|
| Compressor Defect | D sensor temp >10° C (D sensor temp. unchanges for 10 min. continuous compressor run) | Display ALARM Symbol blinks | 5 Set Symbol blinks |

| | | |
|------------------------------|---------------------------------|--------------------------------------|
| VESTEL WHITE GOODS | 375E PUSH BUTTON DISPLAY | CUSTOMER SUPPORT |
| | Fault Codes | |

Cooling error on display

***NOTE: To prevent the wrong alarms, this alarm status is disabled on following conditions:

- During the first 6 hours after the product was firstly connected.
- During the defrost period
- During the 30 minutes after a defrost
- During the first 2 hours that if door was open.

| ERROR | DETAILS | USER MODE REACTION | SERVICE MODE REACTION |
|-----------------|-------------------------------------|-----------------------------|-----------------------|
| R sensor >15° C | Refrigerator compartment is warm | Display ALARM Symbol blinks | 6 Set Symbol blinks |
| R sensor <-5° C | Refrigerator compartment is so cool | Display ALARM Symbol blinks | 8 Set Symbol blinks |

PRIORITY OF ERROR ON DISPLAY

| | USER MODE REACTION | SERVICE MODE REACTION |
|-------------------|-----------------------------|-----------------------|
| Compressor Defect | Display ALARM Symbol blinks | 5 Set Symbol blinks |
| R sensor >15° C | Display ALARM Symbol blinks | 6 Set Symbol blinks |
| R sensor <-5° C | Display ALARM Symbol blinks | 8 Set Symbol blinks |

| | | |
|------------------------------|---------------------------------|--------------------------------------|
| VESTEL WHITE GOODS | 375E PUSH BUTTON DISPLAY | CUSTOMER SUPPORT |
| | Service Mode | |

Entering service mode:

Push SET button continuously for 10 seconds when 8 set symbol active. Appliance will enter service mode 10 sec. later.

Canceling service mode:

Push SET button continuously for 10 seconds when 8 set symbol active. Appliance will enter service mode 10 sec. later.

If service man do not push any buttons for 30 minutes when appliance is in service mode.

Service mode will be canceled automatically.

Service mode will be used only by professionals.

1.Push Starting program

Push set button 5 second at service mode.

Fridge set value screen light as components are checked.

“2 set symbol” will light when compressor is ON

“4 set symbol” will light heater will be ON

“6 set symbol” will light fan will be ON

2.Push Forced defrost and forced canceling of defrost

4 set symbol will light during mode.. Mode can be canceled manually or automatically.

Manual canceling will be done by pushing SET button. Symbol will be OFF if defrost is canceled manually. Appliance will return to initial Service mode reaction.

If manual canceling of this function is not performed in 40 min.

Service mode will be canceled. Appliance will check if defrost is finished in this 40min. If YES, appliance will go on from previous set values. But if defrost is not finished , appliance will go on defrost till it finishes and then go on from previous set values.

| | | |
|------------------------------|-------------------------------------|-------------------------|
| VESTEL WHITE GOODS | 375E PUSH BUTTON DISPLAY | CUSTOMER SUPPORT |
| | User and Service Mode Error Message | |

After January 2020

Sensor Faults;

| SENSOR | FREEZER SET VALUE | COOLER SET VALUE |
|-------------------------------|-------------------|------------------|
| (2) Refrigerator (Short-Open) | E | 02 |
| (4) AT sensor | E | 04 |
| (5) RDH Sensor | E | 05 |

Component defect on display

| DEFECT TYPE | FREEZER SET VALUE | COOLER SET VALUE |
|-------------------|-------------------|------------------|
| Compressor Defect | E | 06 |

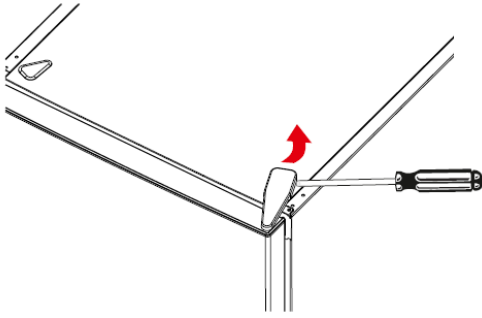
Low voltage error on display

| DEFECT TYPE | FREEZER SET VALUE | COOLER SET VALUE |
|-------------|-------------------|------------------|
| Low voltage | E | 08 |

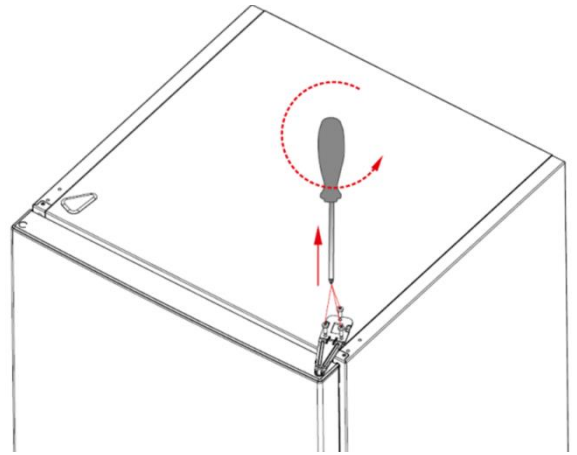
Cooling error on display

| DEFECT TYPE | FREEZER SET VALUE | COOLER SET VALUE |
|-----------------|-------------------|------------------|
| LC (Low Cool.) | E | 10 |
| HC (High Cool.) | E | 11 |

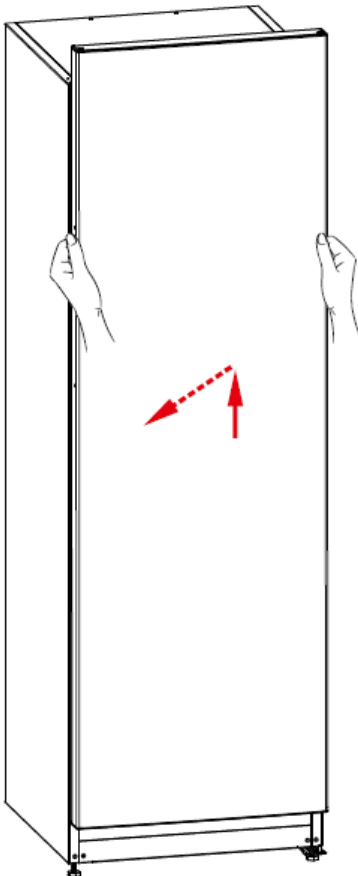
Hold the top hinge cover and
remove it toward that direction



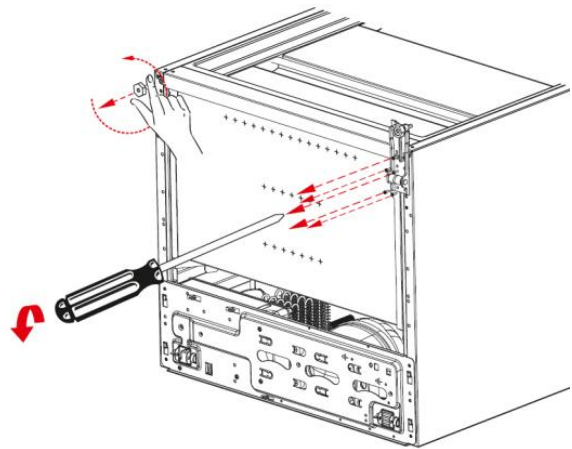
Unscrew the screws fixing the top hinge
and remove it.



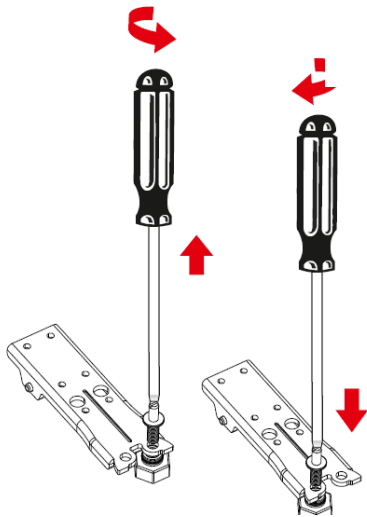
Displace the door



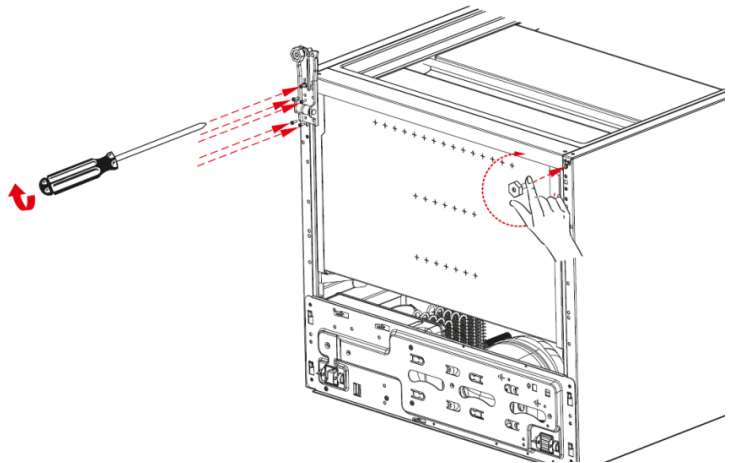
Unscrew the bottom hinge pin and
screw it to other hole.



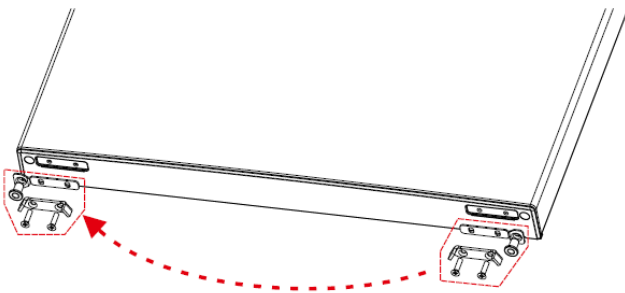
Unscrew the adjustable foot and
unscrew the bottom hinge screws.



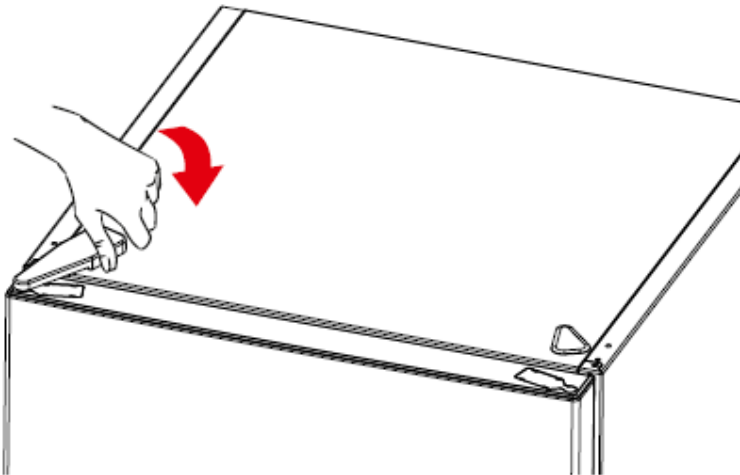
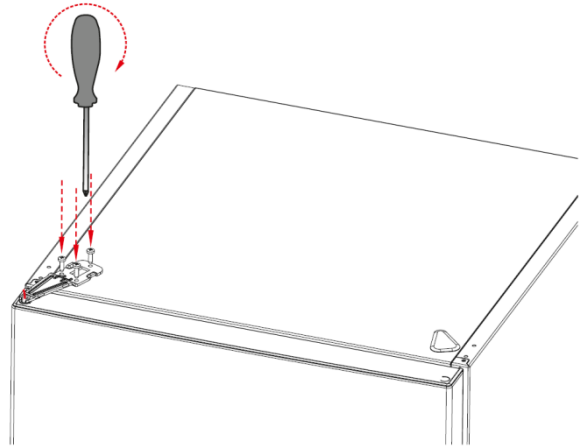
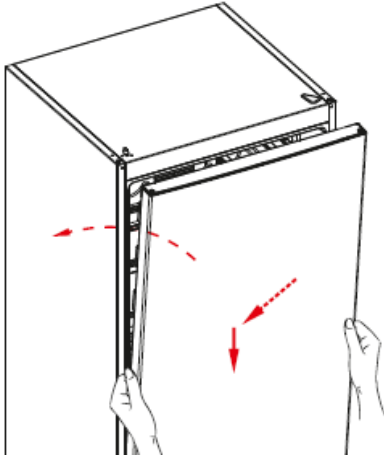
Screw the bottom hinge to the left
bottom side of refrigerator.
Screw the adjustable foot there.



Unscrew the two screws fixing stopper
and stopper support plate under the bottom
door. After that screw the other side.



Place the door to the bottom hinge and then connect the display connector and screw the top hinge to the top panel. Place the top hinge cover.



Side Led Version

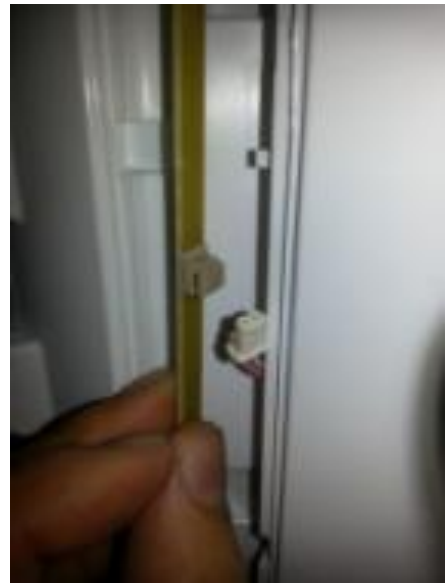
1. Stick a tape to protect plastic. Insert a flat screwdriver into the gap and remove the cover. (Picture-1)

**Picture-1**

2. Remove the led strip light from its housing. (Picture-2)

**Picture-2**

3. Disconnect the connector and change the led light strip. (Picture-3)

**Picture-3**

| | | |
|------------------------------|--|-----------------------------|
| VESTEL WHITE GOODS | 375E PUSH BUTTON DISPLAY | CUSTOMER SUPPORT |
| | ASSEMBLE & DISASSEMBLE LEDS | |

4. First, place the bottom point of the led light strip and then place towards other side.(Pic-4)



Picture-4

5. Reassemble the led cover. (Pic-5)



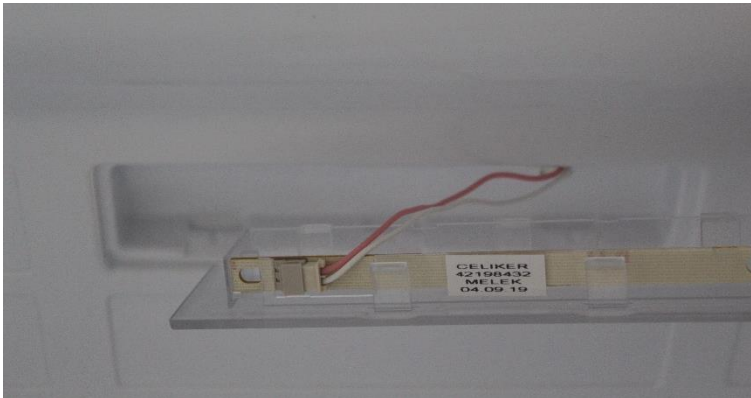
Picture-5

VESTEL

WHITE GOODS

375E PUSH BUTTON DISPLAY**ASSEMBLE & DISASSEMBLE LEDS****CUSTOMER
SUPPORT****Top Led Version**

Remove the led cover by pulling forward and disconnect the connector.



VESTEL

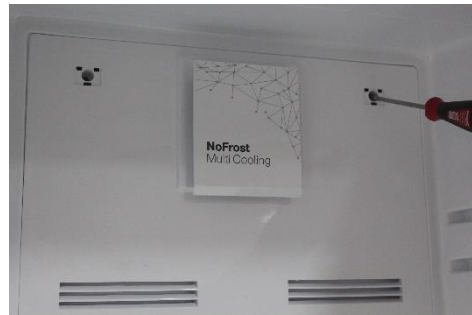
WHITE GOODS

375E PUSH BUTTON DISPLAY**ASSEMBLE & DISASSEMBLE OF AIR DUCT****CUSTOMER
SUPPORT**

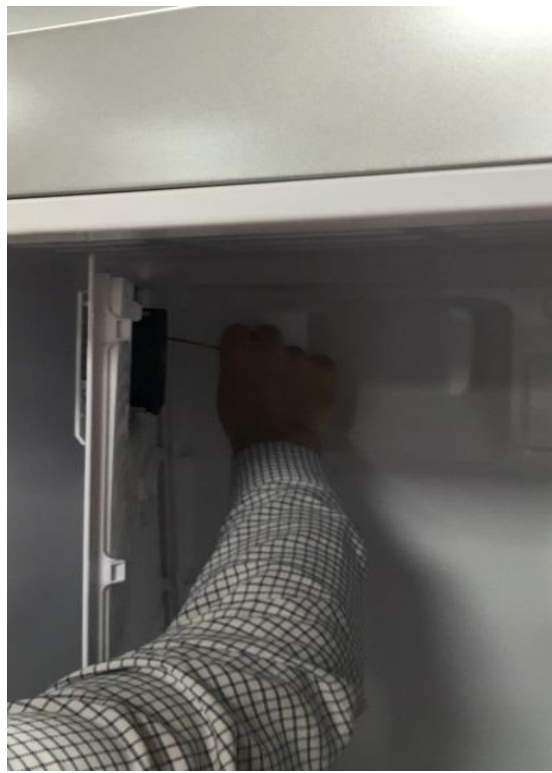
Remove the cooler glass shelves and the chiller.



Remove the screw caps by using a flat screwdriver and screw the screws.



Flex the multi flow by holding the fan cover and remove it.
Disconnect the connector after removing the multi flow.



1. You can remove the fan cover by flexing the fan cover nails
2. Remove the fan motor by flexing the fan motor rubbers. (Picture-1 / Picture-2 / Picture-3)



Picture-1



Picture-2



Picture-3

3. Attach the rubbers to the fan motor and montage the fan motor in the air duct with the help of rubber. Place the 2 nails under the fan cover ve assemble by flexing the top nail (Picture-4 / Picture-5 / Picture-6)

*: Fan Motor cable output must be **RIGHT-CORNER** when viewed from the front of the part

4. After attaching in the socket, place the part and secure the air duct by screwing.



Picture-4



Picture-5



Picture-6

Replacement Head Panel Display

1. By aid of a flat screwdriver or similar tools remove taps and then unscrew



2. Unhook snapfits on the head panel by reaching from related cavities and pull head panel backward

3. To disconnect head panel unplug socket from the display card



4. Unscrew screws on the card and unhook snapfits and then replace card with new one

5. After disassembly head panel , mainboard in the housing can be reached. Lift up mainboard and pull outward from housing then disconnect sockets on the board,

6. For reassembly , follow steps vice versa



| | | |
|------------------------------|--|-----------------------------|
| VESTEL WHITE GOODS | 375E PUSH BUTTON DISPLAY | CUSTOMER SUPPORT |
| | ASSEMBLE & DISASSEMBLE SENSOR | |

Remove the sensor cover by pulling forward and disconnect sensor connector.
(Picture-1 / Picture-2)



Picture-1



Picture-2



Warning: Pay attention not to damage to the sensor cover details!

VESTEL

WHITE GOODS

375E PUSH BUTTON DISPLAY

Barcode and Serial Number Explanation:

**CUSTOMER
SUPPORT**

Vestel refrigerator serial numbers are consist of 22 digits.

